

# LinkedPro<sup>®</sup>

Fall protection system for roof, wall and ceiling

# XSPHILOSOPHY: DRIVEN BY INNOVATION

At XSPlatforms, we believe that everyone involved in work at height must be able to do so safely and easily. Whether maintaining roofs or washing the windows of the highest skyscrapers in the world, everybody must be able to work safely at height.

## WE ARE GUIDED BY FIVE CORE VALUES:

SAFETY ABOVE ALL

CLIENT FOCUS

QUALITY THROUGH SIMPLICITY

ONLY THE BEST IS GOOD ENOUGH

THERE IS NO SUCH THING AS A PROBLEM

For our full XSPhilosophy, go to [xsplatforms.com](https://xsplatforms.com)



# A BREAKTHROUGH IN WORKING AT HEIGHT

The LinkedPro system is the first and only fall protection system in the world in which multiple lifelines can be connected to a single anchor point.

LinkedPro was developed on the basis of the notion that working at height can take place even more safely, even more easily and even more efficiently, and it lives up to this vision.

With LinkedPro, workers can work more safely, because multiple users can pass each other without having to disconnect themselves.

LinkedPro is user friendlier, because it is simple to install and use.

And it enables workers to work more efficiently, because up to six users can use the system with optimum freedom of movement.



# PASS OTHERS SAFELY, WITHOUT DISCONNECTING

LinkedPro provides a logical solution to an illogical safety issue: users having to disconnect themselves from a lifeline to be able to pass fellow users. Our mission to make working at height safer has resulted in the development of LinkedPro, the only fall protection system which obviates disconnection during use by more than one user.

A total of three lines can be attached to a single LinkedPro lifeline track anchor point so that users of the LinkedPro system can pass one another easily, and in complete safety, without having to disconnect their lifelines.

In the case of wall and ceiling systems, where passing zones are often limited and narrow, LinkedPro removes all the risks for the user. Because users have their own lifelines, they can pass one another simply and safely. On roofs, these risks can also be removed by mounting the lifelines on both sides of the system and creating more freedom of movement.

## ECONOMICAL INGENUITY

LinkedPro combines safety and user convenience with economic benefit. Several people can use one system with less fall protection equipment being required. Moreover, the rapid installation method saves costs.

# RAPID INSTALLATION OR SIMPLE EXPANSION

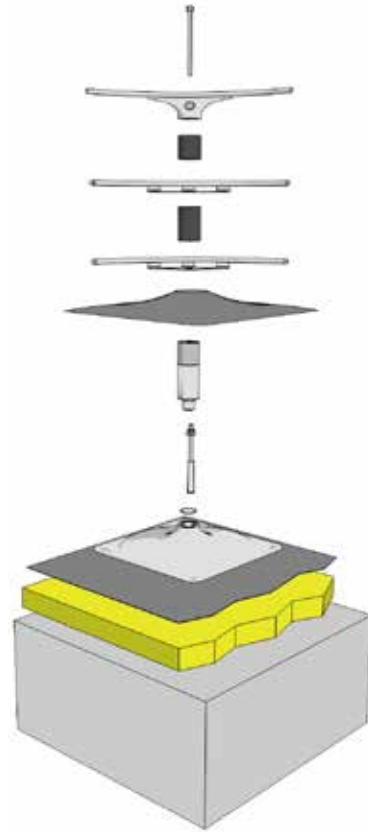
LinkedPro is quick and easy to install.

All the components jointly form a complete anchor point with integrated fall shock absorber in no time.

A single drill hole is sufficient to attach a LinkedPro anchor point firmly to the roof. This method has minimum impact on the structure and is suitable for a great many types of roofs and materials. All XSPlatform anchor points have an attractive design and can be finished neatly so that the effect on the roof is minimized.

## EXPANSION OF EXISTING XSLINKED SYSTEM

A standard XSPlatforms lifeline system can be modified for use by various users by means of a few quick, easy actions. The XSLinked system can be expanded simply and cost efficiently to LinkedPro by adding the requisite extra Pro-components to the existing anchor points. The latter remain intact. Lifeline systems on walls or ceilings can also easily be expanded to LinkedPro.







# FOR EVERY SITUATION A FITTING SOLUTION

The LinkedPro system is available in models suitable for all types of roofs, walls and ceilings, so that a safe workplace can be created at every site. Of course, all the models of the LinkedPro system more than meet the most stringent international standards.



## ROOF

The LinkedPro roof system enables the connection of two to six users to one system simultaneously (with a maximum of three lifelines). The users are continually secured and enjoy optimum freedom of movement on both sides of the lifelines.

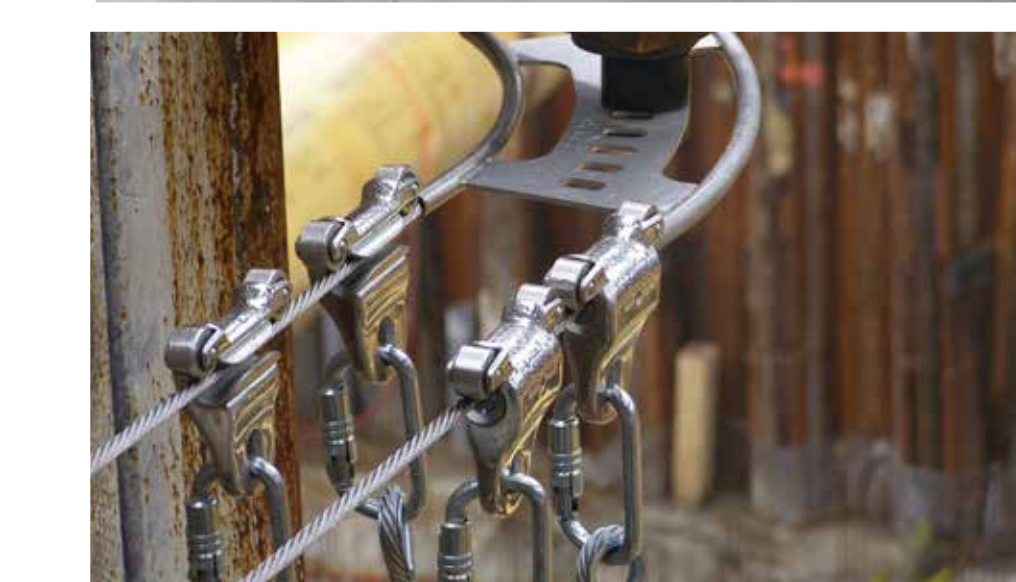
- Suitable for almost every type of roof
- Between two and three steel cables
- Suitable for one to six users.
- Clear identification as a result of colored spacers
- Possibility of expanding your existing XSLinked tracks to LinkedPro



## WALL

Fall protection is not only essential during activities on roofs. Work is also often carried out at height along walls. With the LinkedPro wall system, users benefit from optimum safety and freedom of movement. Two to four people can enjoy the advantages of a single wall system using only two lifelines.

- Suitable for almost every type of wall
- Two lifelines per track
- Suitable for one to four users.
- Suitable for systems at hip and shoulder heights



## CEILING

The LinkedPro ceiling system is the answer if a roof or wall system is not possible. It is ideal for narrow working areas, as in the case of window-cleaning activities along awnings.

- Suitable for almost every type ceiling
- Suitable for one to four users.
- Two lifelines per track
- Less expensive and more flexible than overhead rail systems

# VARIOUS TRACKS WITH A LIFELINE SYSTEM

One of the most practical advantages of the LinkedPro lifeline system is its flexibility when used on roofs. The lifelines can be used in different ways on a single system. Various configurations are possible, making LinkedPro the most practical and user-friendly system on the market. And, thanks to the XSPoint, all configurations are absolutely safe, too.

## INSTALLATION OF THE LIFELINES

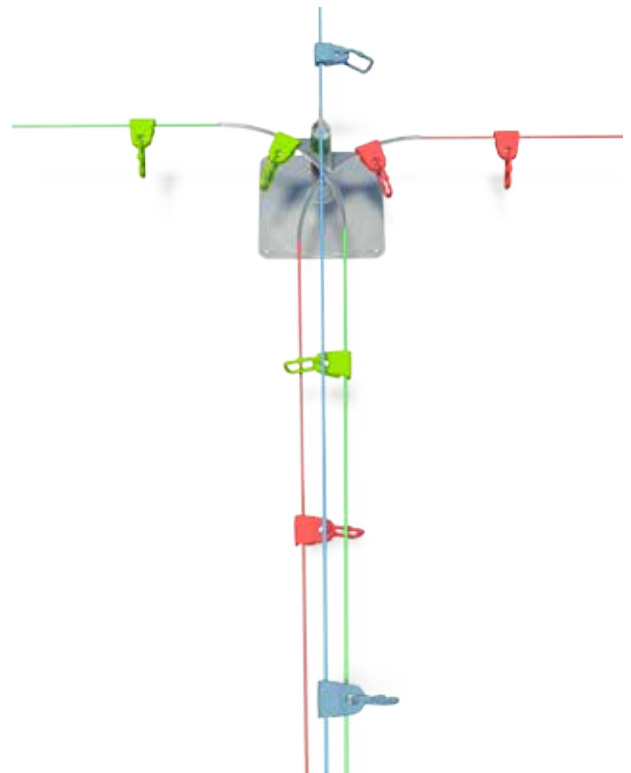
If the activities to be carried out on the roof take place on one side of the system, the standard set-up can be opted for. In the standard set-up, the lifelines are attached to the same side of the anchor point. However, in a situation in which work must be carried out on both sides of the system, a different set-up may be preferable. In this case, one or more lifelines are attached to opposite sides, which makes it easier for users to pass one another.

## MULTIPLE TRACKS WITH COLORED MARKINGS

Besides the advantage that several users can pass one another safely, LinkedPro offers another extra. Because of its modular character, multiple tracks can be realized on a roof. Tracks can, if required, be marked with colored spacers and zones can be marked to indicate tripping hazards.



*Assembly on both sides*



*Multiple tracks*





# XSSLIDER PRO & XSPPOINT

## SAFE AND USER FRIENDLY

The LinkedPro system can be expanded with an XSPoint; this is an access point which makes it impossible to disconnect from the lifeline at a dangerous spot. Since the LinkedPro system comprises multiple lines, and several people work on them at the same time, a slider will have to be able to make certain angles more frequently. The XSSLider Pro provides the solution in this case.

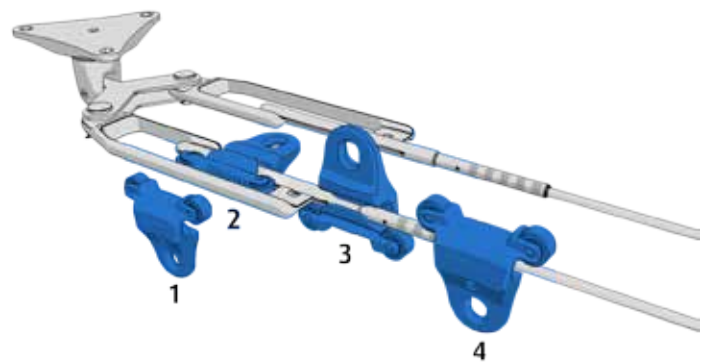
The XSSLider Pro can easily make an angle of up to 40° as a result of the addition of the integrated 'guiding sleeve' (a rotating tube). As soon as the guiding sleeve reaches a bracket, it automatically turns and moves into the correct position for smooth passage of the spacers and bends.



## UNIVERSALLY APPLICABLE FOR ROOF, WALL AND CEILING

The LinkedPro system with the XSSLider Pro is suitable for use on roofs and walls, and can be installed on concrete, steel and brick. The XSSLider Pro has plus-points, particularly in the case of wall systems, when the slider has to be able to make certain angles more frequently.

For ceiling systems, there is the XSSLider overhead Pro, which works on exactly the same principle as the XSLider Pro. The XSSLider overhead Pro makes it possible to work obliquely at an angle of 40° under the ceiling system.



## SECURED EVERYWHERE THANKS TO THE XSPPOINT

The XSSLider Pro and overhead Pro can only be used in combination with an XSPPoint. This is a special connecting and disconnecting point for the XSSLider which makes it impossible for users to connect to or disconnect from the lifeline at any random spot elsewhere along it. This can only take place via an XSPPoint, which is located in an entirely safe zone.



# UNIQUE FEATURES

## MAXIMUM SAFETY

The LinkedPro system is the only system on the market which enables multiple users to use the same lifeline track safely. And by combining LinkedPro with an XSPoint access point, the safety of the user can be maximized. Hazardous situations are avoided since the user can only hook on or off in a safe zone.

## INTEGRATED SHOCK ABSORPTION

The XSImpact Pro anchor point has an intelligent response mechanism which, if a user falls, bends in the same direction, absorbing the energy which is released as it does so. This means that longer distances can be bridged between two anchor points and that fewer anchor points are needed than with comparable systems. Wall and ceiling tracks also have an integrated shock absorber in the form of the XSDynamic.

## RAPID INSTALLATION

XSPlatforms guarantee quick and easy installation by means of a single anchor for each anchor point, as is the case with the standard XSLinked systems. LinkedPro has been designed such that it is four to five times faster to install than its competitors.

## UNIVERSALLY APPLICABLE

The integrated shock absorber in the XSImpact Pro and XSDynamic ensures that even very light, fragile roof, wall and ceiling structures are not damaged in the event of a fall.

## PROTECTION OF THE STRUCTURE

The anchor points can be used on all types of roofs, walls and ceilings due to the high absorptive capacity of the built-in shock absorber. Assembly sets are available for different sorts of roofing material.

## MULTIPLE USERS

As a result of the use of strong anchor points and multiple lifelines, up to as many as six people can work safely and comfortably on a LinkedPro lifeline track at the same time. Work can, therefore, be carried out faster and more efficiently, something that benefits not only the users, but also the building owners and clients.

## MODULAR AND FLEXIBLE

The LinkedPro system is modular and can be used in various configurations, varying from one to three lines. XSLinked tracks which have already been installed can also be expanded, easily and economically, to a LinkedPro system.



# FOR ALL SECTORS

We understand the challenges facing users in the various sectors during activities at height. This expertise, and our innovative technologies and products, mean that we are always able to offer the right solutions for branch-specific situations and needs.

Our LinkedPro product portfolio contains standard and customized solutions for, among other things, the following areas of application:

- Petrochemistry
- Residential and non-residential building
- Industry, including the petrochemical and energy sectors
- Transport and logistics
- The maritime branch
- Telecommunications
- Energy



# LINKEDPRO IN PRACTICE







*“Due to their location, the premises on the Albertkanaal can be subject to very high winds. It is extremely important that window-cleaners have safe, effortless access to the large window areas of this property. With the LinkedPro system, window-cleaners can pass one another easily on the relatively small working area, without having to disconnect themselves. Thanks to the LinkedPro system, maintenance activities can be carried out faster, more efficiently and more economically.”*

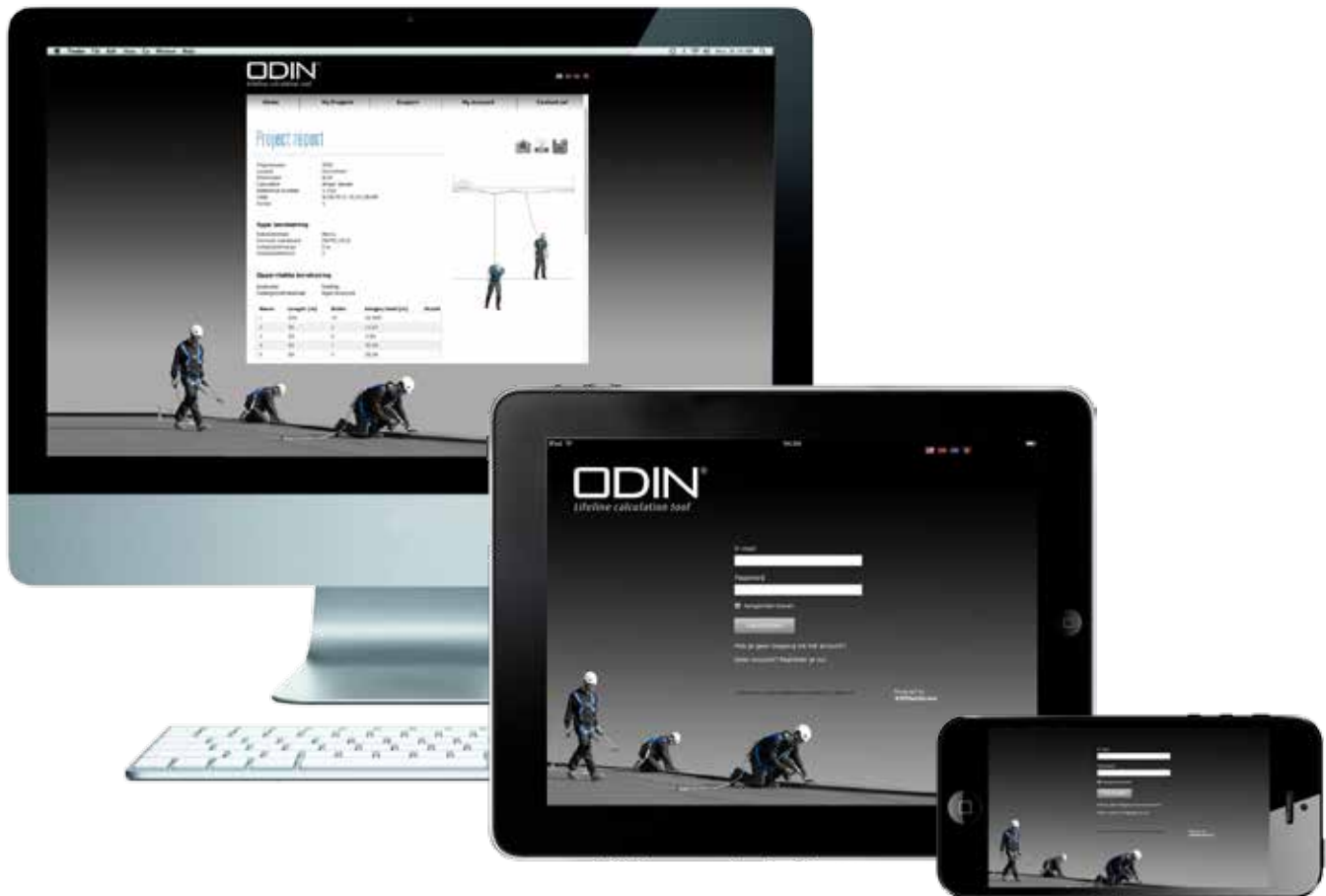
Koen de Maesschalk,  
Business Unit Manager  
De Boer Roof Safety Solutions



## PROJECT

**Client:** De Boer Roof Safety Solutions  
**Architect:** Vanhecke & Suls  
**Site:** Schoten, Belgium  
**Sector:** Non-residential building  
**System:** LinkedPro roof system for green roofs and the LinkedPro ceiling system





## CALCULATE THE RIGHT SOLUTION

At XSPlatforms, we believe that everyone involved in work at height must be able to work safely and easily. Taking this ambition as a starting point, we developed ODIN. A unique online calculation tool which allows you to easily, reliably and quickly calculate the adequate fall protection solution for practically any work to be performed at height.

### UNPARALLELED EASE OF USE

Making an exact calculation for horizontal lifeline systems requires a lot of specific expertise, including knowledge of the applicable safety standards and calculation rules. And that is precisely where we can make life easier for you. ODIN easily calculates what forces might be released during a fall and provides detailed advice on the required fall protection system.

### WHY ODIN?

- ✓ Accurate and reliable
- ✓ The most complete tool of its kind
- ✓ Quick and easy to use
- ✓ No extensive previous knowledge required
- ✓ Professional and appropriate advisory reports
- ✓ Cost-effective
- ✓ Preventing understanding of and response to safety risks
- ✓ Accessible anywhere and at any time: from desktop, smartphone or tablet

## About XSPlatforms

---

XSPlatforms develops pioneering solutions for safe and efficient working at heights; from design and manufacture to assembly, inspection and management of systems for facade access. From offices in Europe, Asia, the Middle East, and North and South America, XSPlatforms also provides user training courses, risk inventories and consultancy services.



---

XSPlatforms' solutions are characterized by their attractive, sustainable design, high reliability, unparalleled user-friendliness and practical innovations. The portfolio comprises:

### FALL PROTECTION

We provide you with maximum permanent safety by means of our guardrails and lifeline systems. With minimum damage to roofs and fast assembly, our products for mobile and permanent fall protection are among the best in the world. All our fall protection solutions are designed with the user in mind: practical, safe and simple.

### FACADE MAINTENANCE UNIT

Safety requirements become stricter every day. To ensure minimum impact on a building's architecture, all our facade maintenance solutions are customized and adapted to suit the specific characteristics of the building in question. Equipped with the latest technological functions, our gondolas and roof cars offer maximum user safety.

### SUSPENDED PLATFORM SYSTEMS

Things can always be improved. With this core value in mind, our team of designers has produced a new, patented design for suspended platforms. Safe during erection, use and dismantling. This revolutionary system offers users more freedom of movement, safer use and simpler transport.

### SCAFFOLDING SYSTEMS

Our scaffolding systems are easier and safer to assemble than was considered possible until now. Scaffolding which combines the advantages of mobile and walk-through scaffolding and offers users optimum flexibility and safety.

